



# BUILDING DROPS

A Perfect Solution in Every Drop!

Certificate of Authorization: 29578

398 E. Dania Beach Blvd.  
Suite 338  
Dania Beach, FL 33004  
954.399.8478 PH  
954.744.4738 FX  
contact@buildingdrops.com

## Product Evaluation Report of

**Eagan Manufacturing, Inc.**  
"Single and Double Door"

*for*  
Florida Product Approval  
**FL# FL12820**  
**Report No. 5135**

### Current Florida Building Code

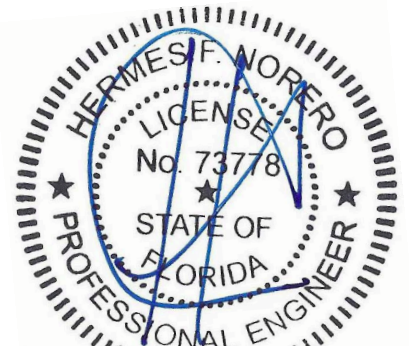
**Method:** 1 – A (Certificate Method)  
**Category:** Exterior Doors  
**Sub – Category:** Swinging Exterior Door Assemblies

**Product:** *Single and Double Door*  
**Frame Material:** *Aluminum 6063 T-6*  
**Product Dimensions:** *62.50" W x 82.50" H*  
*75.50" W x 82.75" H*

**Prepared For:**  
**Eagan Manufacturing, Inc.**  
620 Eagan Road  
Black Rock, AR 72415

**Prepared by:**  
**Hermes F. Norero, P.E.**  
Florida Professional Engineer # 73778  
**Date: 09/24/17**

Contents:  
Evaluation Report Pages 1 – 3  
Installation Details Pages 4 - 5



Hermes F. Norero, P.E.  
Florida No. 73778



# BUILDING DROPS

A Perfect Solution in Every Drop!

Certificate of Authorization: 29578

FL#: FL12820

Date: 09/24/17

Report No: 5135

---

**Manufacturer:** Eagan Manufacturing, Inc.

**Product Category:** Exterior Doors

**Product Sub-Category:** Swinging Exterior Door Assemblies

**Compliance Method:** State Product Approval Rule (1)(a)

**Product Name:** Single and Double Door  
Non-Impact Rated  
62.50" W x 82.50" H  
75.50" W x 82.75" H

**Scope:** This is a Product Evaluation Report issued by Hermes F. Norero, P.E. (FL # 73778) for **Eagan Manufacturing, Inc.** based on Method 1a of the State of Florida Product Approval, Department of Business and Professional Regulations - Florida Building Commission.

Hermes F. Norero, P.E. does not have nor will acquire financial interest in the company manufacturing or distributing the product or in any other entity involved in the approval process of the product named herein.

This product has been evaluated for use in locations adhering to the current Florida Building Code.

See Installation Instructions **EAM008**, signed and sealed by Hermes F. Norero, P.E. (FL # 73778) for specific use parameters.

## Limits of Use:

1. This product has been evaluated and is in compliance with the current Florida Building Code, excluding the "High Velocity Hurricane Zone" (HVHZ).
2. Product anchors shall be as listed and spaced as shown on details. Anchor embedment into substrate material shall be beyond wall dressing or stucco.
3. When used in areas requiring wind borne debris protection this product complies with Chapter 16 of the current Florida Building Code and does require an impact resistant covering.
4. Site conditions that deviate from the details of drawing **EAM008** require further engineering analysis by a licensed engineer or registered architect.
5. See drawing **EAM008** for size and design pressure limitations.



# BUILDING DROPS

A Perfect Solution in Every Drop!

Certificate of Authorization: 29578

FL#: FL12820

Date: 09/24/17

Report No: 5135

**Quality Assurance:** The manufacturer has demonstrated compliance of door products in Accordance with the Florida Building Code and State Rules for manufacturing under a quality assurance program audited by an approved quality assurance entity through **National Accreditation and Management Institute** (FBC Organization #: QUA 1789)

**Performance Standards:** The product described herein has been tested per:

- ASTM E 330-02

**Referenced Data:**

1. Product Testing performed by **Certified Testing Laboratories, Inc.** (FBC Organization #: TST1577)  
Report #: CTLA 1980W-4, Report Date: 07/09/09  
Report #: CTLA 1980W-3, Report Date: 07/09/09
2. Quality Assurance  
**National Accreditation and Management Institute**  
(FBC Organization #: QUA 1789)
3. Notice of Product Certification  
**National Accreditation and Management Institute**  
(FBC Organization #: CER 1774)

**Installation:**

1. Approved anchor types and substrates are as follows:
  - A. For two by (2X) wood frame substrate, use:
    - a. **#8 wood screws** of sufficient length to achieve minimum embedment of 1.5” into wood framing.
  - B. For steel stud frame substrate, use:
    - a. **#8 self-tapping screws** of sufficient length to achieve 3 threads minimum penetration beyond metal substrate.

Refer to Installation Instructions (**EAM008**) for anchor spacing and more details of the installation requirements.

**Design Pressure:**

Sizes	Design Pressures
Double Doors	+16.66/-13.33 PSF
Single Doors	+20.0 / -20.0 PSF



# BUILDING DROPS

A Perfect Solution in Every Drop!

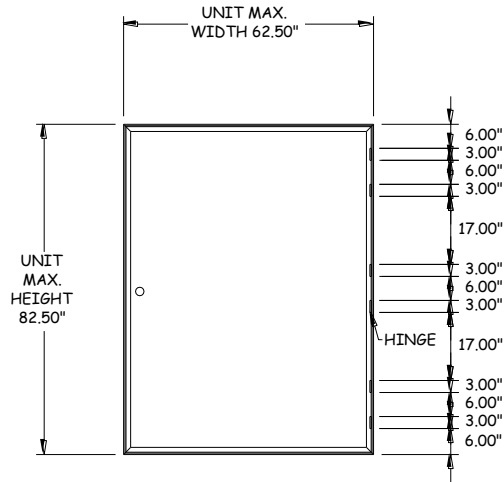
Certificate of Authorization: 29578

FL#: FL12820

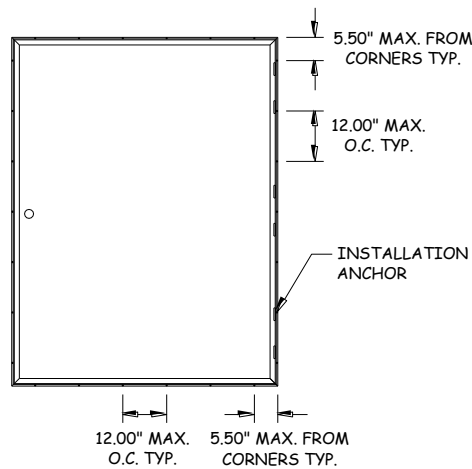
Date: 09/24/17

Report No: 5135

## Installation Method Eagan Manufacturing, Inc. "Single and Double Door"



**ELEVATION  
EXTERIOR VIEW**



**ANCHOR LAYOUT**

Hermes F. Norero, P.E.

Florida No. 73778

Page 4 of 5



# BUILDING DROPS

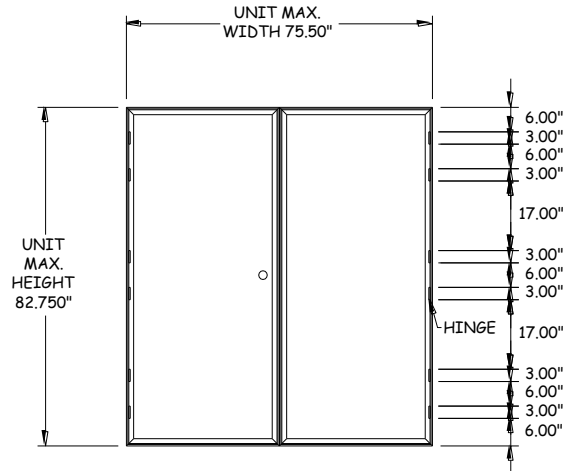
A Perfect Solution in Every Drop!

Certificate of Authorization: 29578

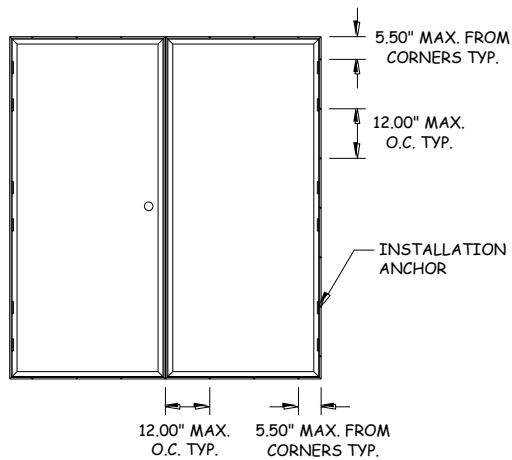
FL#: FL12820

Date: 09/24/17

Report No: 5135



**ELEVATION  
EXTERIOR VIEW**



**ANCHOR LAYOUT**

Hermes F. Norero, P.E.

Florida No. 73778

Page 5 of 5