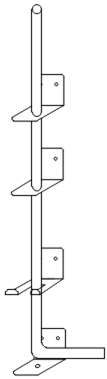


Installation Guide For Barn Doors

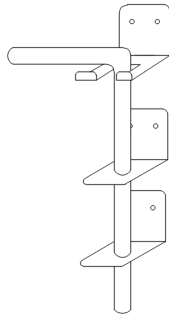
TABLE OF CONTENTS

Parts	1
Framing & seal.....	2
Hinge Bracket Install	3
Door Adjustments.....	4
Installing cane bolts and handles	5

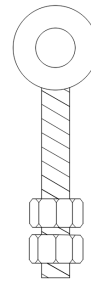
PARTS



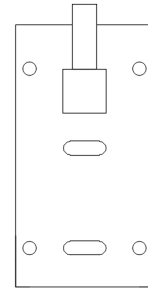
Top Cane Bolt (1)



Cane Bolt (2)



Eyebolt w/nuts (2)



Hinge Mount (6)



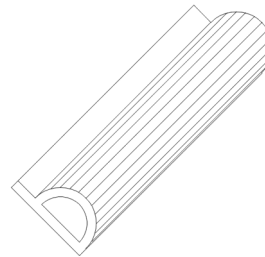
Top Cane Bolt support (1)



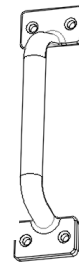
Lag Screws (24)
5/16 x 3"



Lag Screws (12)
5/16 x 1 1/2"



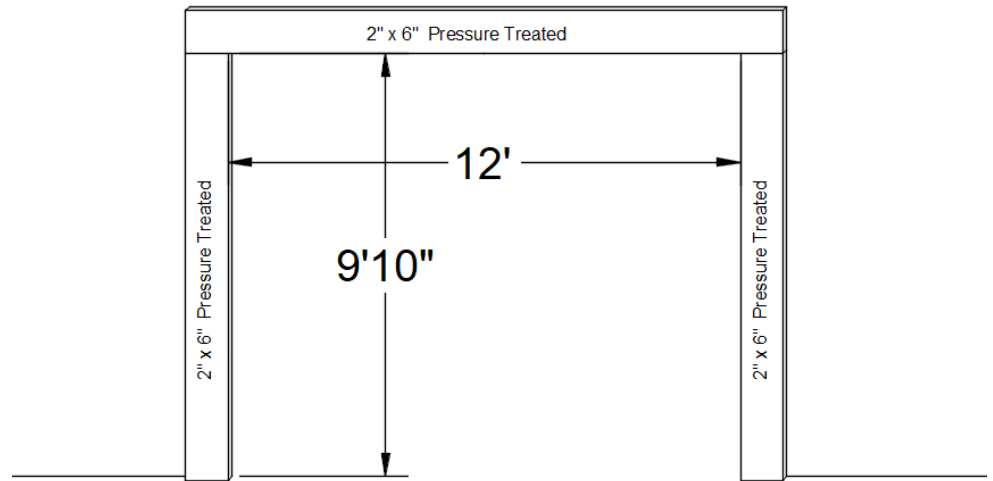
Seal (35 Ft)



Outside Door Han-

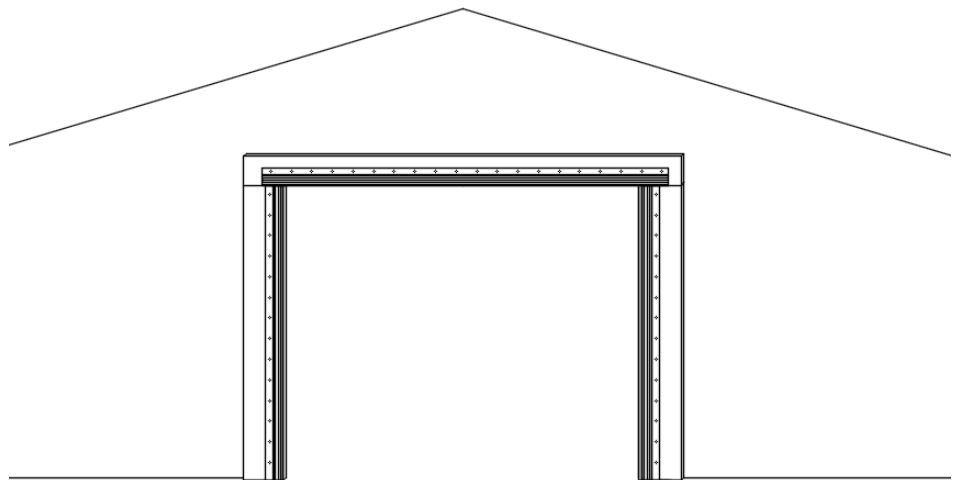
STEP 1

Picture frame the opening with pressure treated 2" x 6". Use 2 pieces 10' long and a 14' piece for the top. Trim to top 14' board to flush with the two side sides.

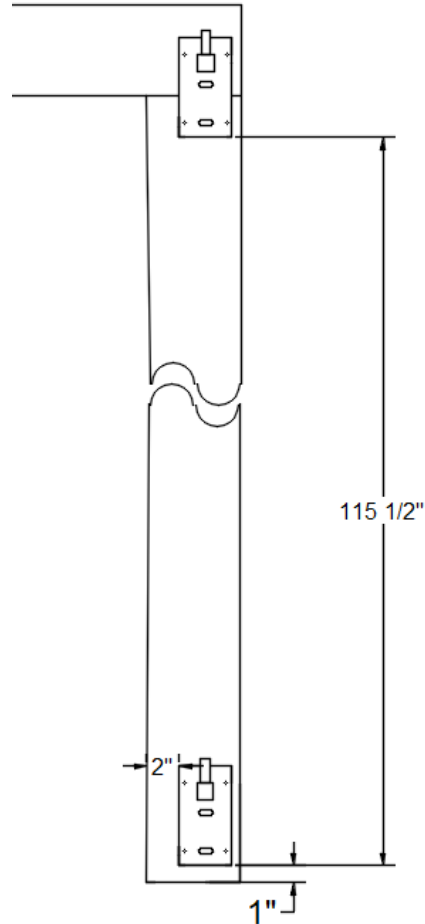
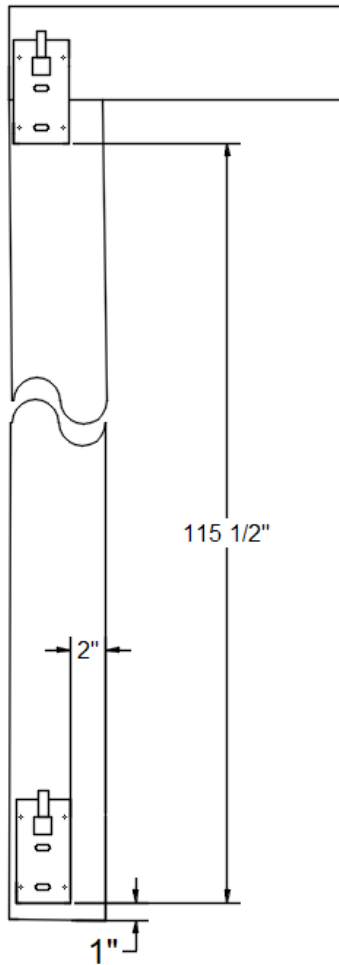


STEP 2

Install 2" Seal around the opening . The seal needs to be installed with roofing tacks 6" apart. Flush the seal to the inside of the opening. Allow a little overlap of the seal on top over the seal on the sides.

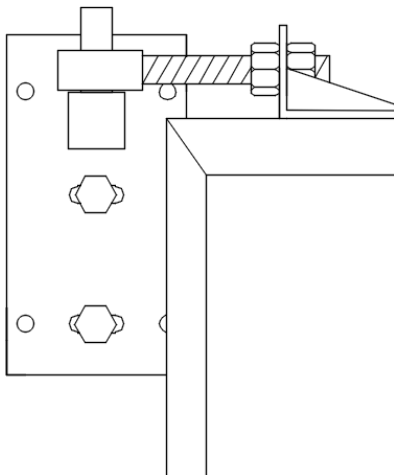


Hinge Brackets



Step 3.

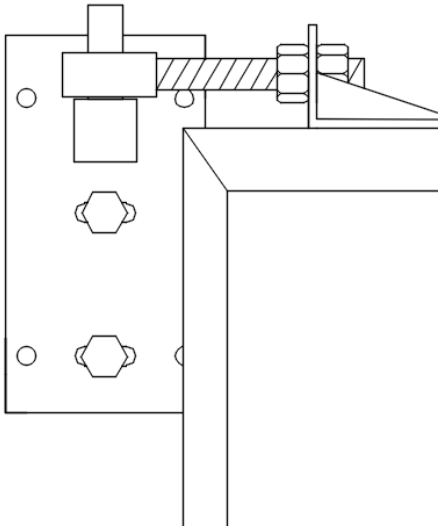
Install 4 of the hinge mount brackets as shown. Do not install the center bracket until done. The bracket should be 1" from the bottom and 2" from the edge of the frame. If the door needs to be raised for clearance you can adjust the lower bracket. Always measure off the bottom of the lower bracket for the top bracket



Step 4.

Use the 5/16" x 1 1/2" lags for the center slots on the bracket. The slot allows for adjustment of the doors once level tighten down lags and install the door panel.

Adjustment of Doors

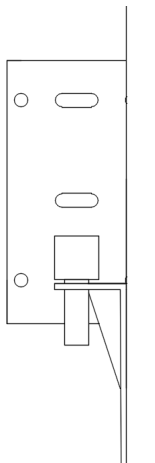
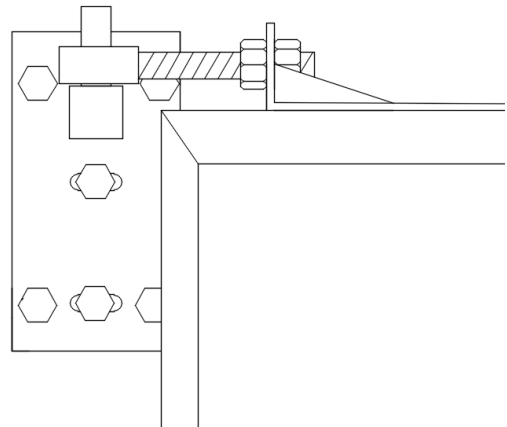


STEP 5

Hang the doors on the hinge bracket after you install the eye bolt on the top of the door as shown. There are several adjustments for the door. To level the two panels loosen or tighten the eye bolt on the top of each door. If the doors are to tight then loosen the Lag bolts on the hinge bracket and slide side to side to adjust the spacing.

STEP 6

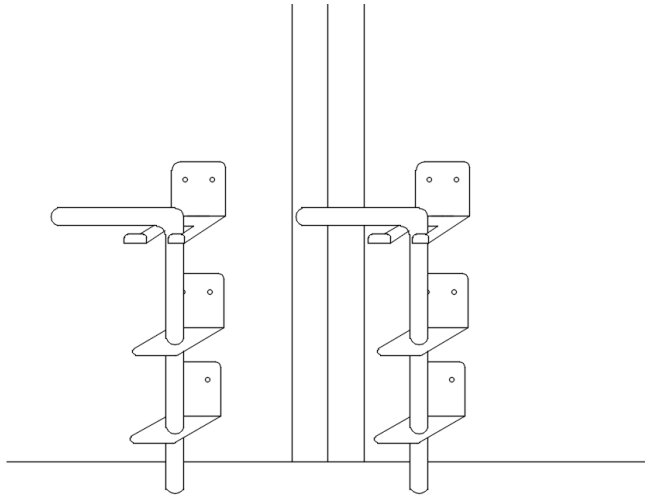
Install the 3/16 x 3" lag bolts in all 4 corners of the hinge bracket. The large lags are used only after the door is adjusted and set.



STEP 7

Install the center hinge bracket. The bracket is turned upside down to lock the door in place. Once installed the doors will not be able to be lifted off the hinges. Install the 3/16 x 1 1/2 lags in the center slot and the 3/16 x 3 lags in each corner

INSTALLING CANE BOLTS AND HANDLES

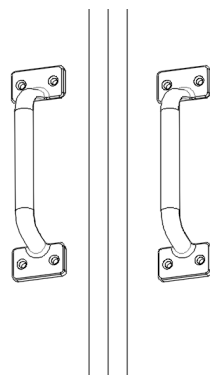
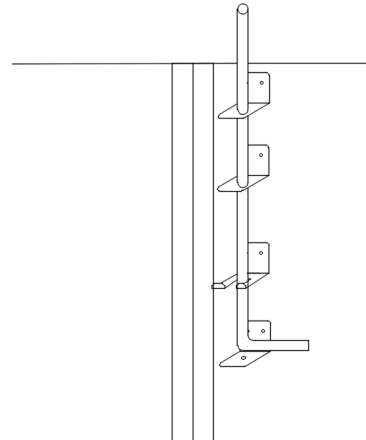


STEP 8

Install each small cane bolt on each door. Offset from the center on the inside. Install Brackets at the bottom of the door to allow cane bolt to extend into the concrete below door. Drill 5/8" hole into the concrete pad below the door

STEP 9

Install top cane bolt. Adjust the spacing on the brackets to allow full installation on the top plate and the lower bracket as a stop so that the cane bolt can not fall out.



STEP 10

Install outside door handles