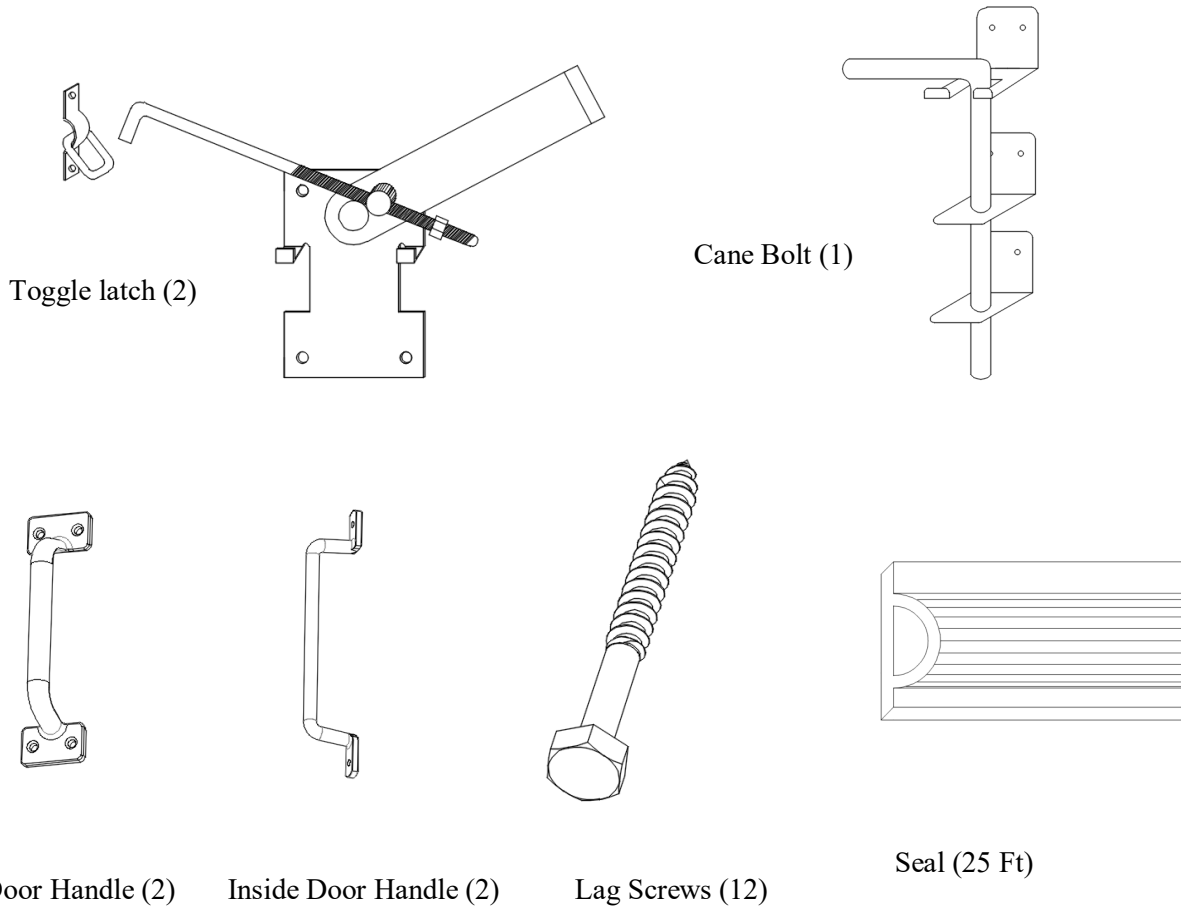


Installation Guide For Sliding Doors

TABLE OF CONTENTS

Parts	1
Framing	2
Seal Installation and Track	3
Hardware Installation	4

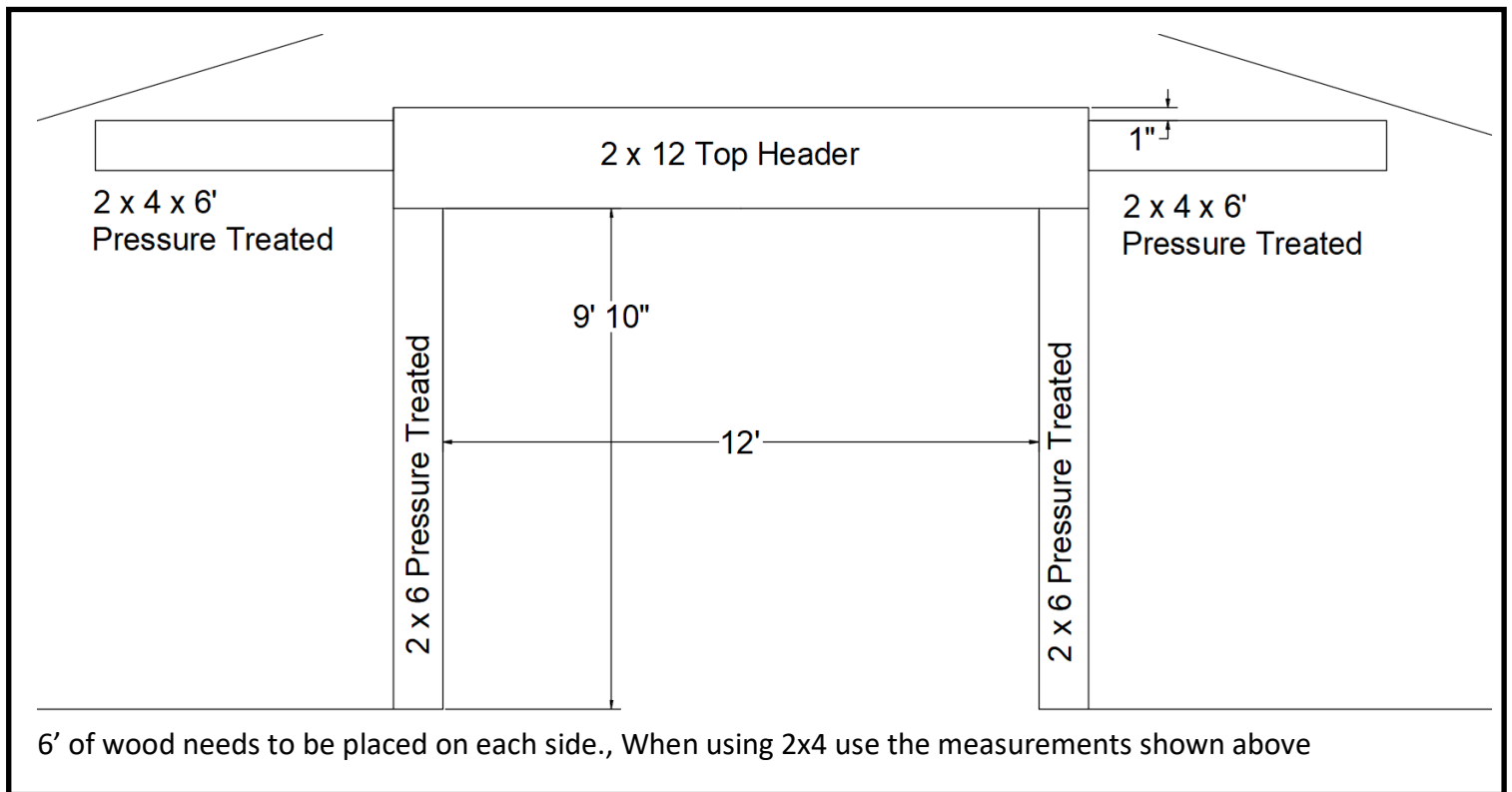
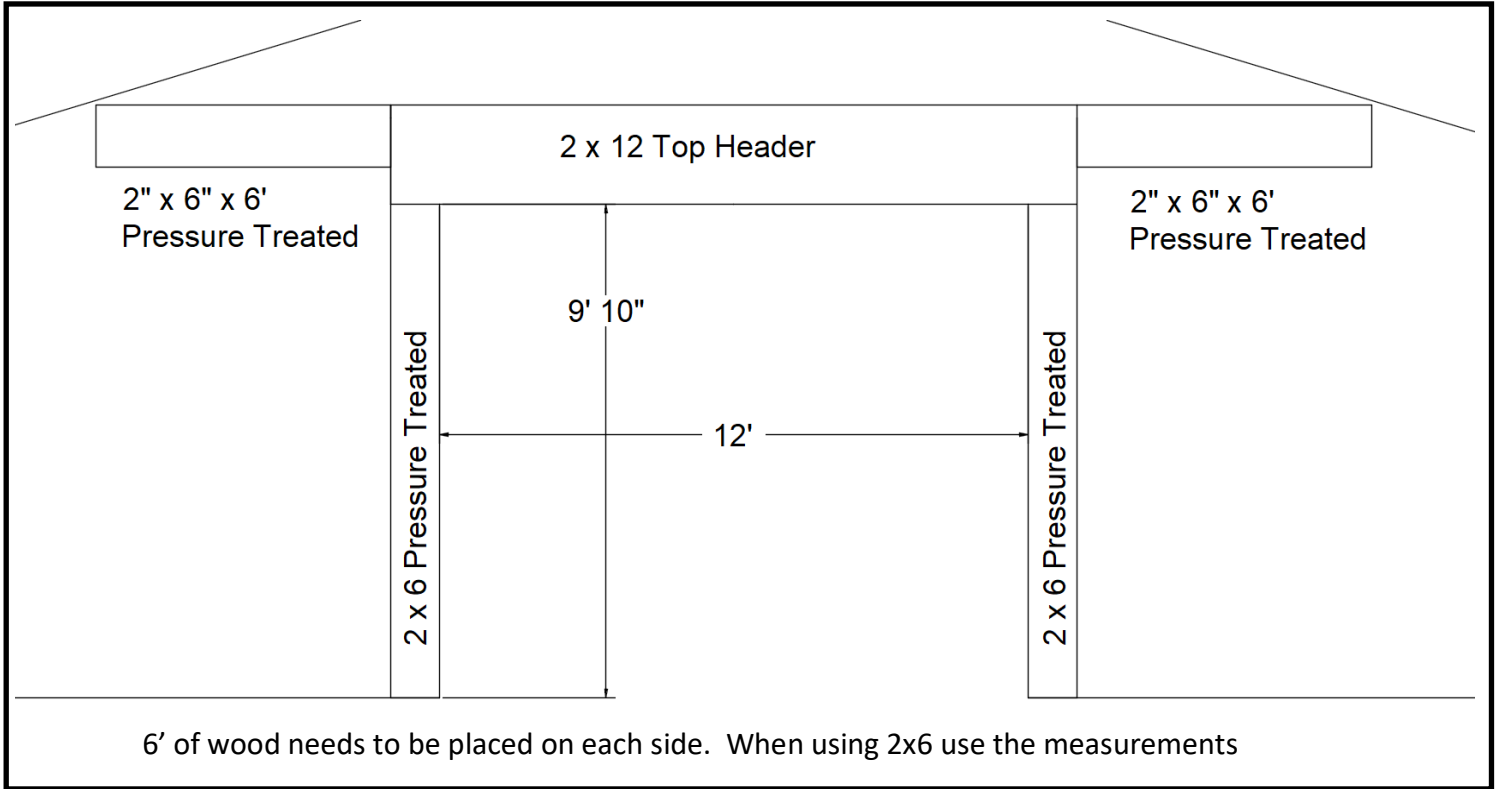
PARTS



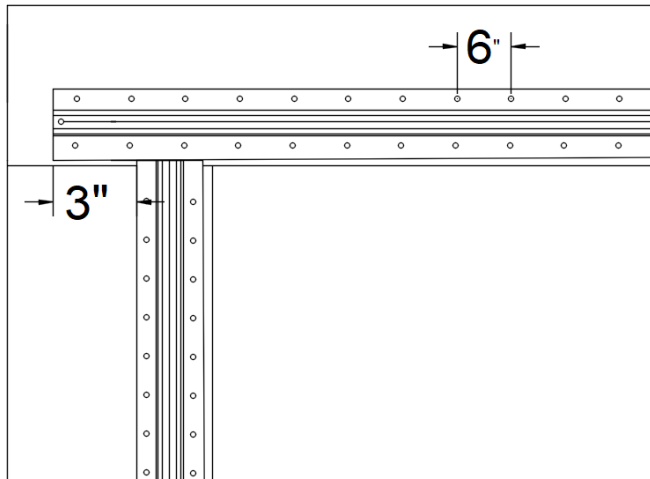
FRAMING

STEP 1

Picture Frame Hole with 2x6 on each side and 2x12 on top 2x6 or 2x4 can be used for the side lumber use one of the measurements shown below based on the material selected.



Seal Instillation and Track

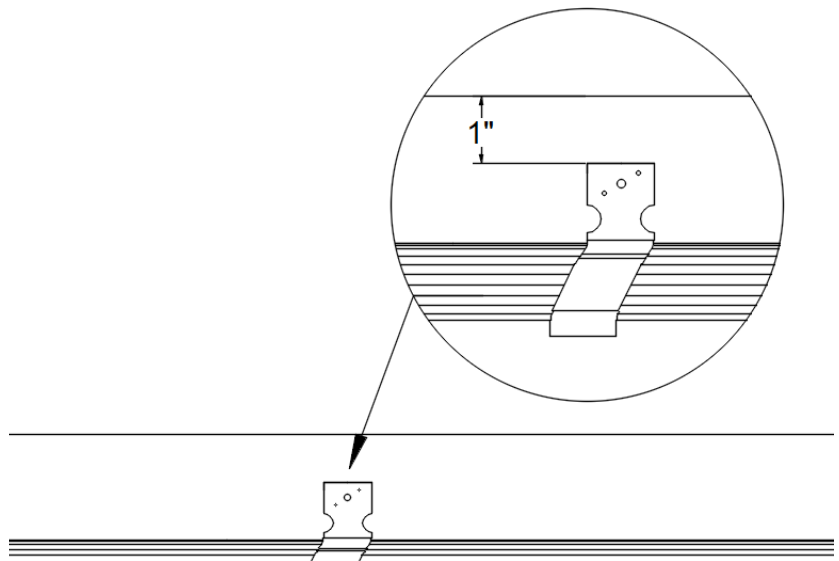


Step 2.

Install Seal around the framing. Use roofing tacks . Top Seal should be mounted 3" past vertical seal. Nail Seal on 6" centers.

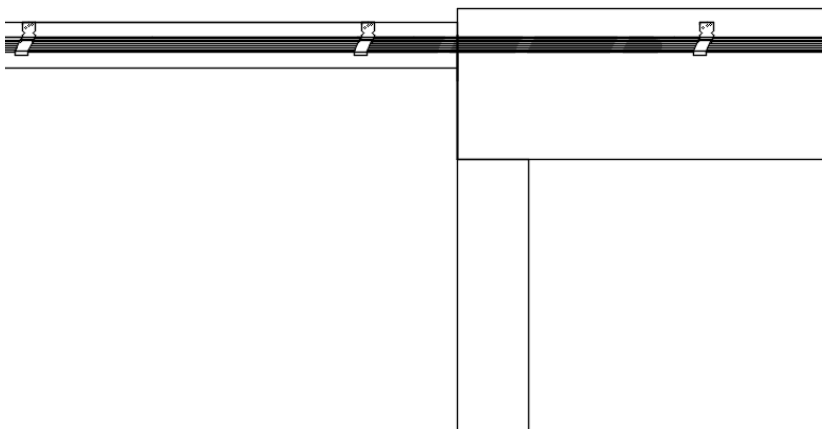
Step 3.

Install Track across the 2x12 header. Measure down 1" from the top. Track brackets are installed flush at the 1" mark.

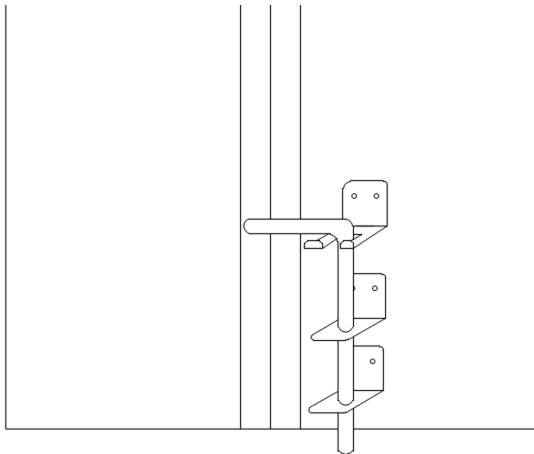


Step 4.

Install the first 12' track from the center of the header to the end of the 2x4 or 2x6 side supports.



INSTALLING THE SEAL

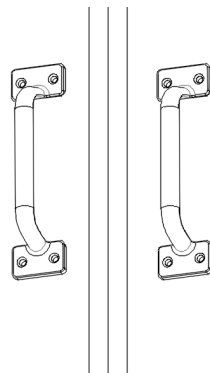
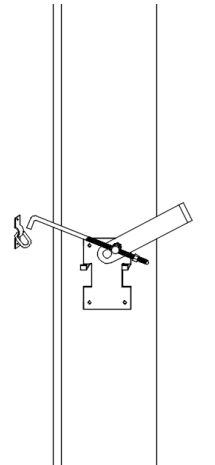


STEP 5

Install Cane Bolt in the center for the door on the inside. Install Brackets at the bottom of the door to allow cane bolt to extend into the concrete below door. Drill 5/8" hole into the concrete pad below the door

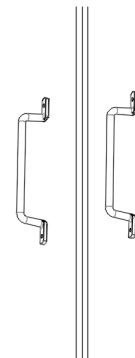
STEP 6

Install toggle latch on the post on both sides of the door. Screw latch into the post then ring bracket on the door. Screw the bolt in or out to adjust the tightness of the seal.



STEP 7

Install outside door handles



STEP 8

Install inside Handles