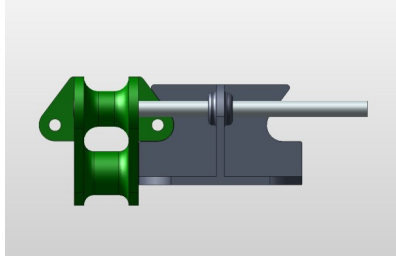
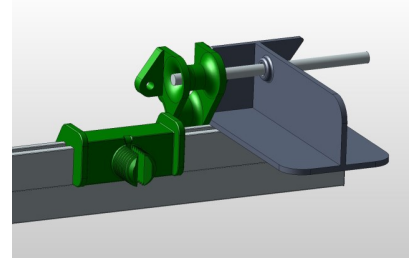


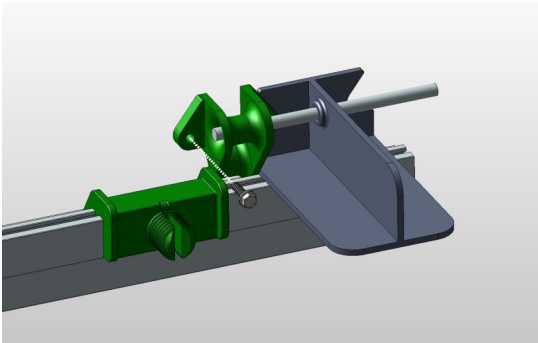
Use Jig to install cord guide



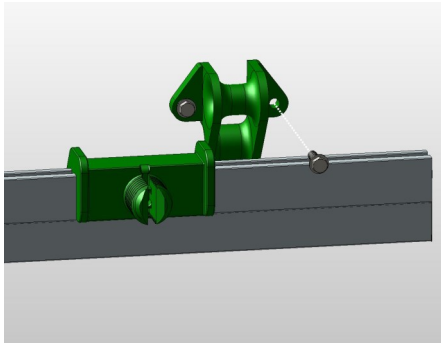
Cord guide can be used on either side



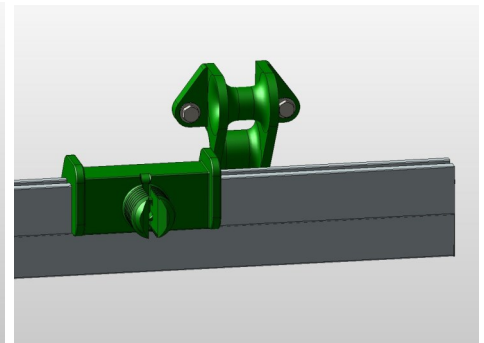
Lay Jig and cord guide next to cord retainer.



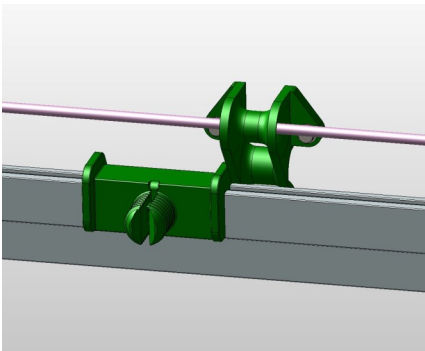
Use #9-1 1/2" screw to install cord guide



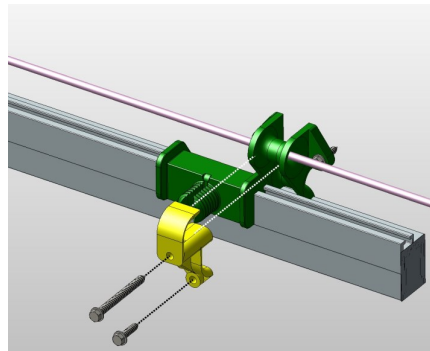
Remove Jig and install second #9 -1 1/2" screw



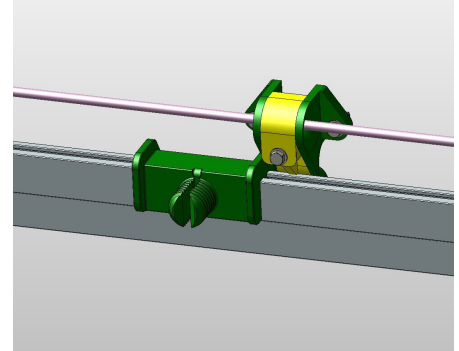
Slide cord retainer next to cord guide.



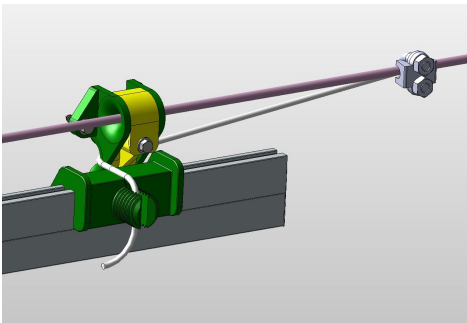
Install 3/16" rod or cable into top hole of cord guide.



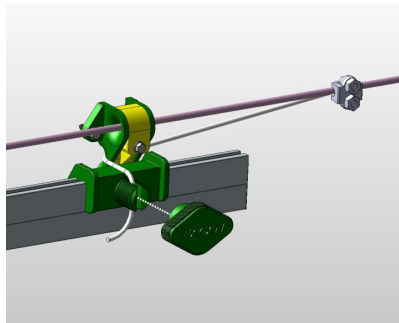
Install cord guide clip on cord guide. Use #9—2 1/2" screw.



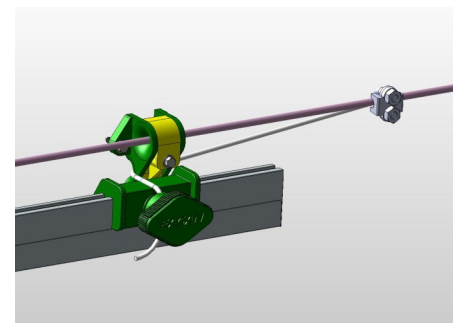
Optional #9-1 1/2" screw in lower hole of guide clip.



Attach nylon cord on rod with cable clamp or cord nut.



Lay nylon cord into cord retainer.



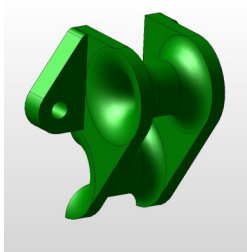
Tighten up cord retainer cap

Installation Guide Fast Track Tunnel Doors

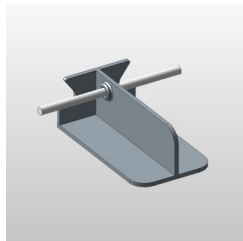
TABLE OF CONTENTS

Parts	1
Framing with external blocking	2
Framing with internal blocking	3
Seal Installation	4
Door Installation	5
Rod and Cord Installation	6
Mounting Cord Guide	7

PARTS



Cord Guide



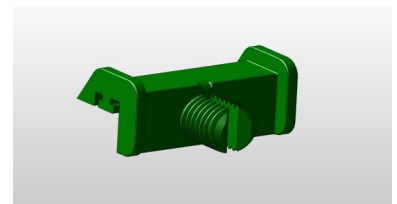
Cord Guide Jig



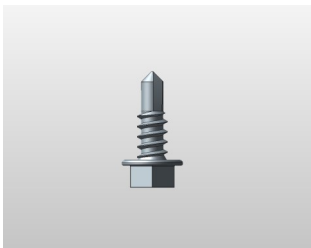
Cord retainer
Cap



Cord Guide Clip



Cord Retainer



Meeting Rail Screw
#10—3/4” Self Taping



Hinge and Cord Guide Screw
#9—1 1/2” Screw

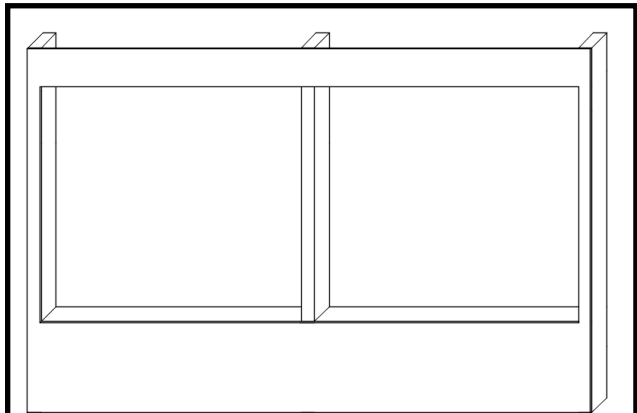


Cord Guide Clip Screw
#9—2 1/2” Screw

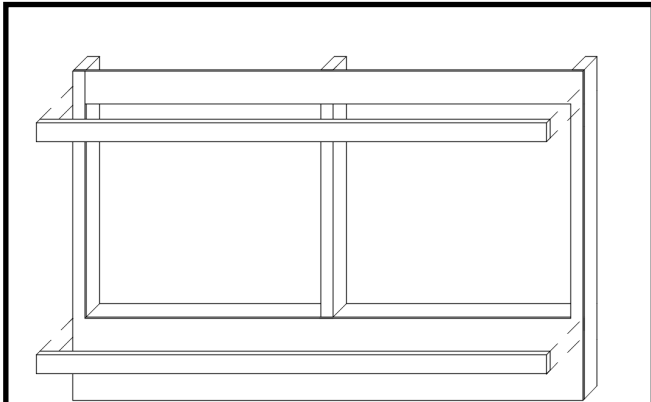
FRAMING WITH EXTERNAL BLOCKING

NOTE: EXTERNAL BLOCKING SHOULD ONLY BE USED IF THE PLYWOOD HAS ALREADY BEEN INSTALLED AND NO INTERNAL BLOCKING WAS USED

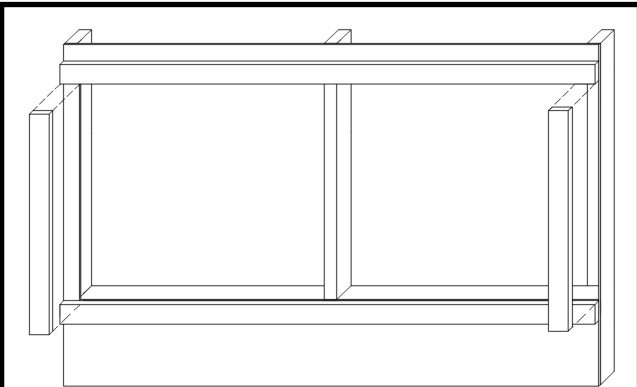
Door Size	Framing Height	Width
30 3/4"	29"	Total Length - 3"
36 3/4"	35"	Total Length - 3"
48 3/4"	47"	Total Length-3"
60 3/4"	59"	Total Length-3"
72 3/4"	71"	Total Length-3"



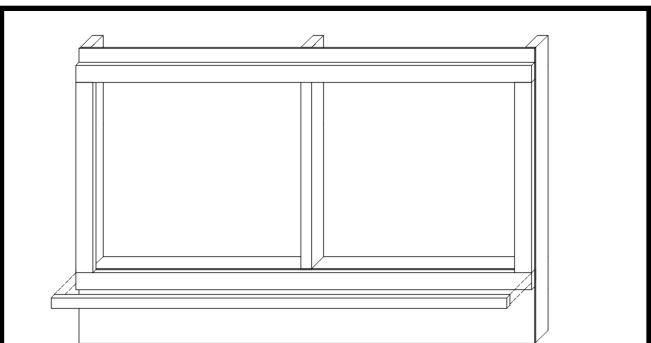
STEP 1 Make a frame around the hole with 2"x 6" lumber.



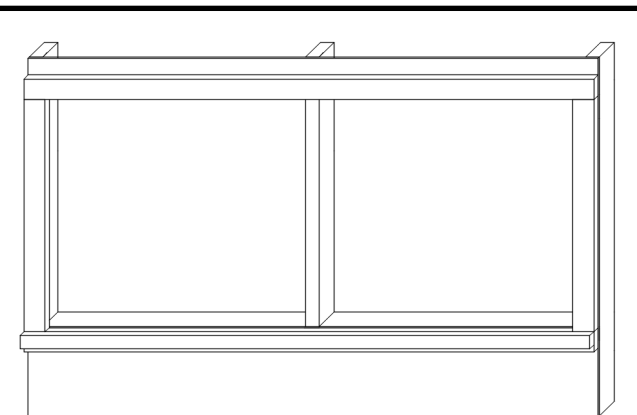
STEP 2: The entire length of the top and bottom use a 2" x 6". Flush to the inside.



STEP 3: On both sides place a 2" x 6" to complete the frame around the hole.

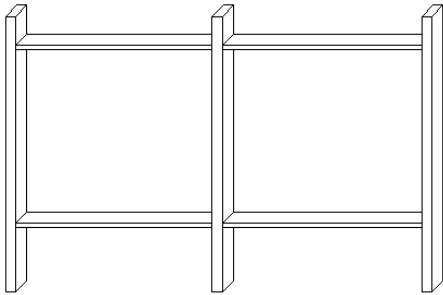


STEP 4: Add 2" x 4" on top of the bottom 2" x 6" flush to the inside. **DO NOT NAIL. USE SCREWS ONLY**

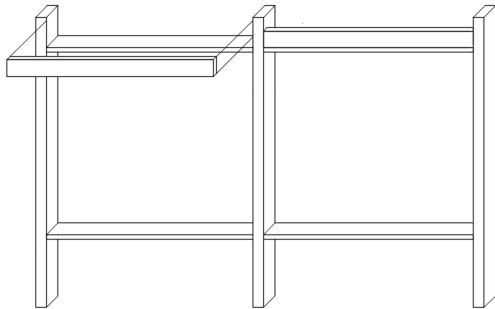


STEP 5: The framed opening is now ready for the seal .

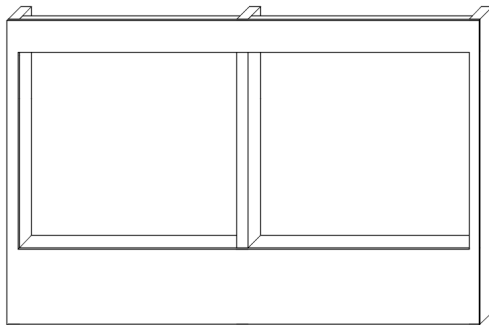
FRAMING WITH INTERNAL BLOCKING



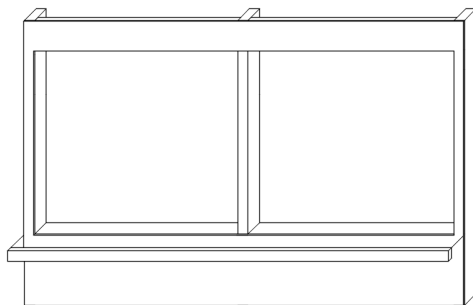
STEP 1: Before the OSB or plywood wall is installed a 2x6 must be installed behind the wall and above the top of the hole. This will allow solid support for the cord guide. If the wall is already up then a picture frame must be installed around the hole Go to section on External Blocking one page 2 and proceed.



STEP 2: Place 2" x 6" between post on top of the internal framing. This should be done the entire length of the run.. This is only required on the top.

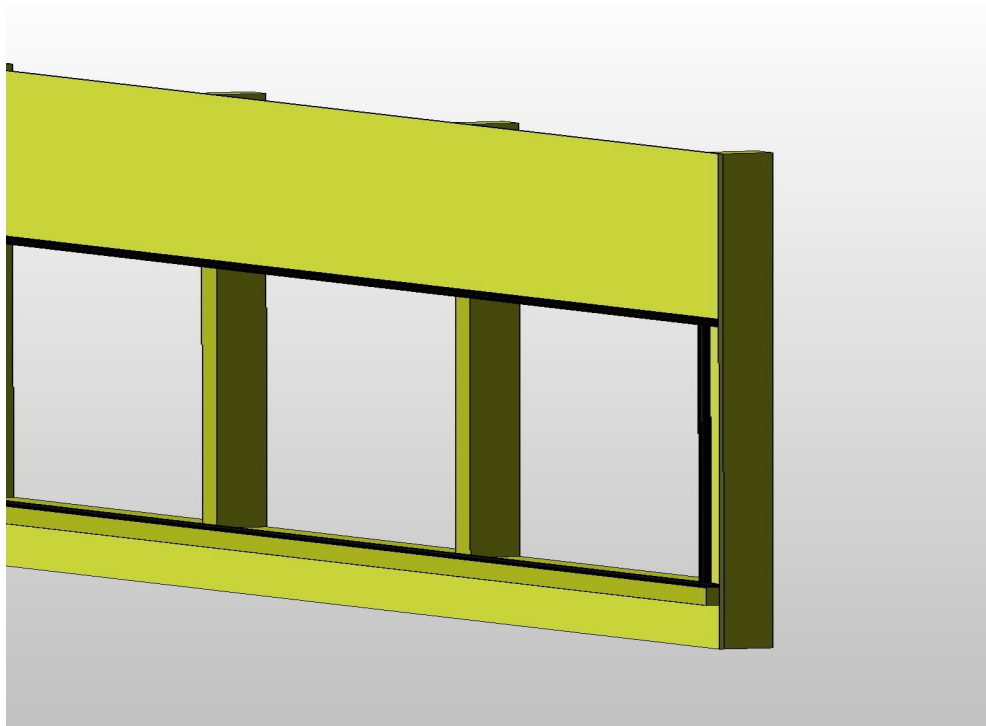


STEP 3: After internal blocking is installed, frame can be covered with OSB or Plywood.

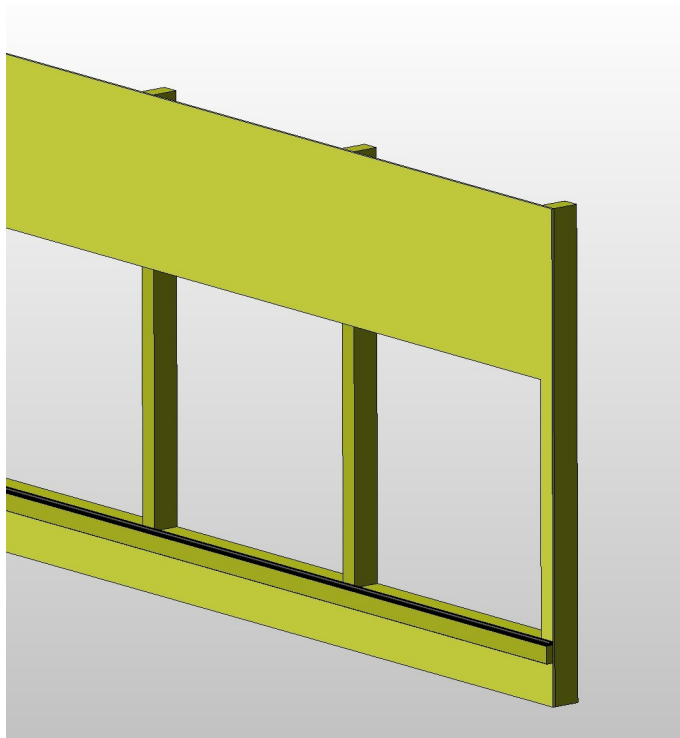


STEP 4: A 2" x 4" is to be installed flush to the bottom of the opening for the entire length. Use Screws to attach board. **DO NOT NAIL.** This is the board that the seal is nailed and the hinges of the doors are attached to.

INSTALLING THE SEAL



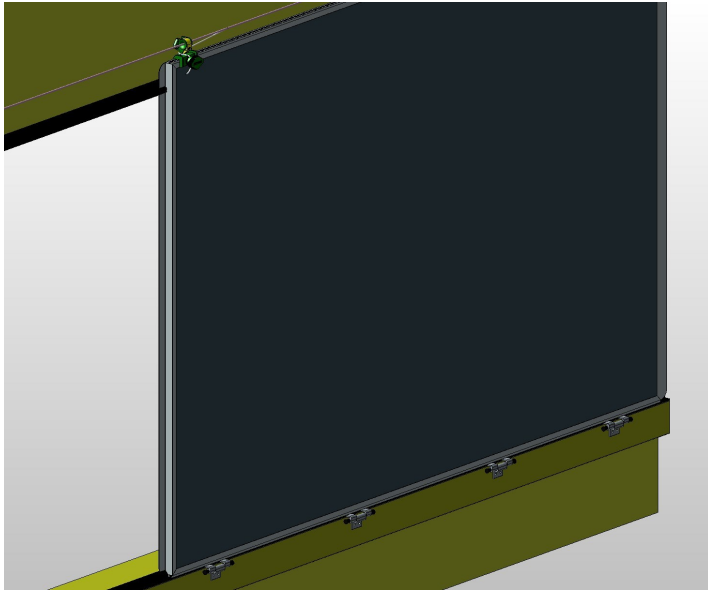
There are 2 types of P-Seal. The 2" P-Seal goes around the frame on the top and both sides. The 1 5/8" p-seal mounts on the 2" x 4" on the bottom. Use 1 1/2" roofing tacks to attach the seal to the frame. Place roofing tacks every 4" on seal.



NOTE: Make sure the 2" x 4" is attached to the wall with screws. DO NOT USE NAILS.

The 1 5/8" P-Seal should be installed on the top of the 2" x 4". The bulb of the seal should be placed against the wall as shown

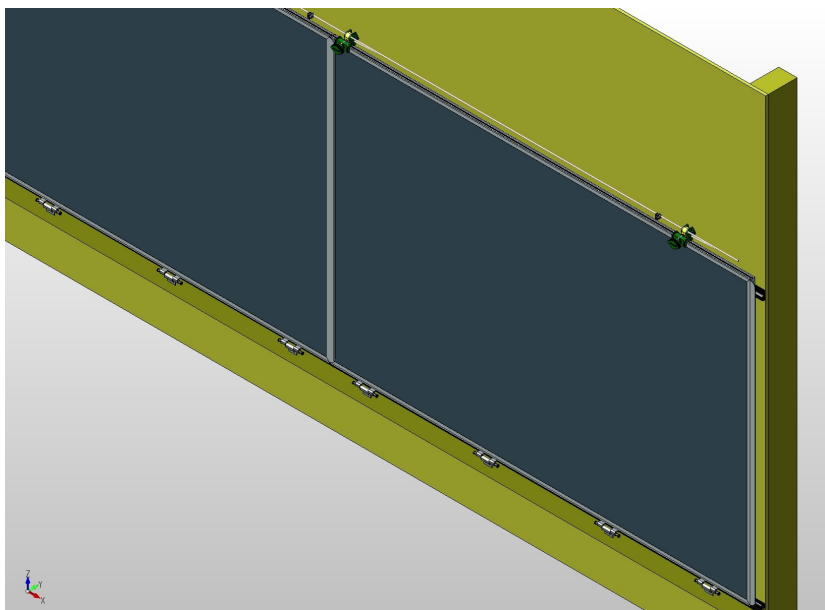
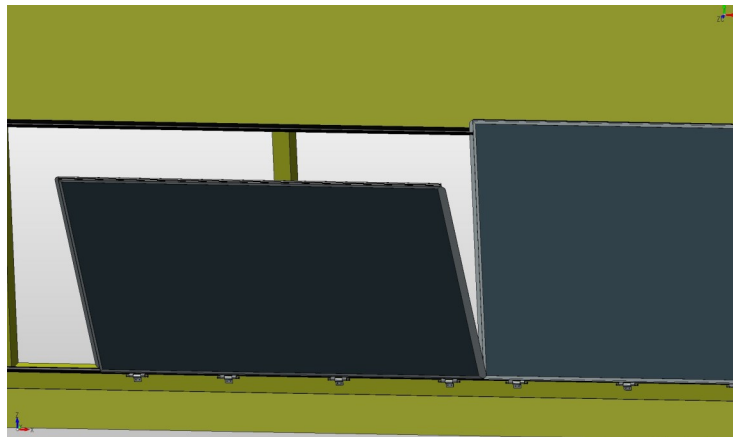
Installing Doors



First door should be started so that the door lap is facing the back of the door as shown. This allows the next door to be placed across the lap. Level up door and install screws to on hinge of each end of the door. Make sure door is overcovering seal on the endge

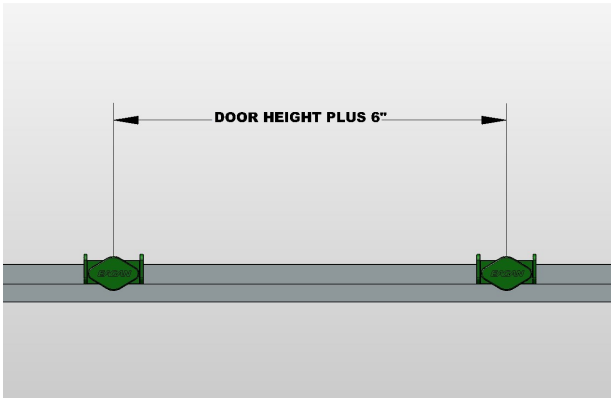
Once leveled and hinges are correct install remaining screws in the hinges

The hinges are on a track and can be moved if the screw hole falls into a crack of the bottom 2" x 4". After next door is installed screw the laps together with the using the #10 x 3/4" self tapping screws supplied



While installing the doors secure the doors in place ever 3 or 4 doors to temporarily hold closed until the cord guide can be installed

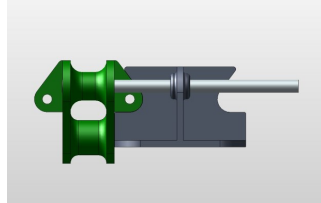
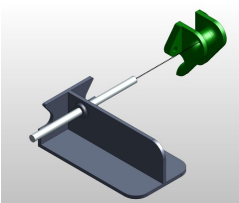
Mounting Cord Guide



Before installing cord guide, space cord retainers on tunnel doors. They should be the door height plus 6 inches minimum.

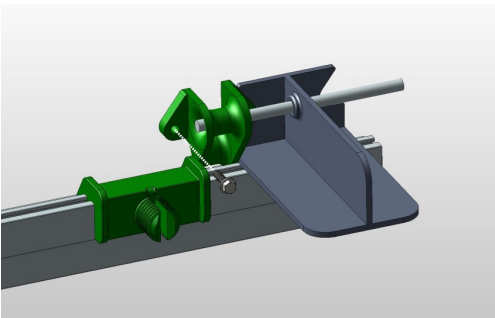
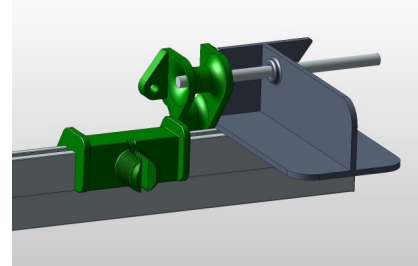
Example 60" doors need 66" between cord retainers.

NOTE: Spacing more than 66" is fine. This is a minimum distance

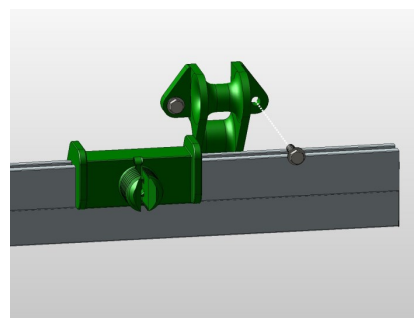


The cord guide mounting jig can be used on either side. Slip cord guide over the rod as shown.

Place the jig on top of the door and against the back wall next to the cord retainer.

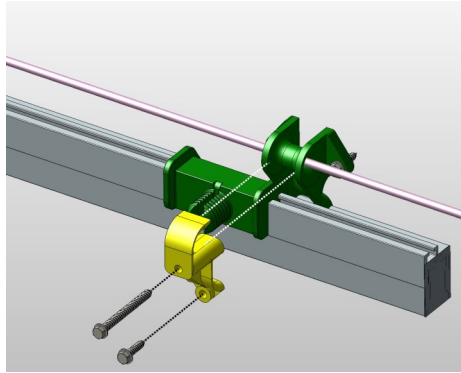


Use #9—1 1/2" screw to install cord guide. Then remove jig.

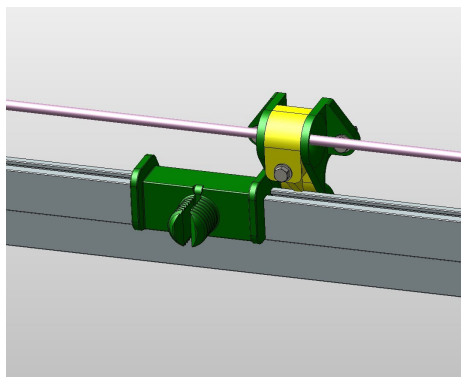


Use #9—1 1/2" screw and put into the other side of cord guide.

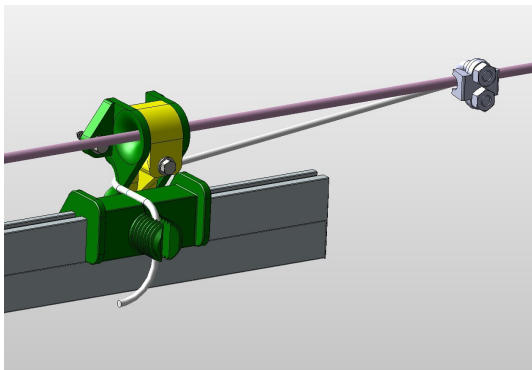
Installing the Rod and Cord



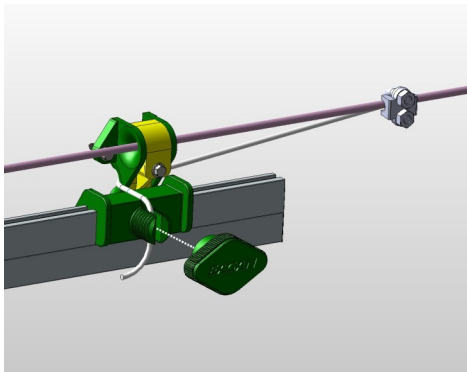
Install rod through top hole of cord guide.
Next, install cord guide clip over cord guide.
Use #9-2 1/2" Screw in the center hole.
Use #9-1 1/2" Screw in lower hole



The cord guide can use rod or cable up to 3/16" in size. This rod is your trunk cable to open and close the doors. Align the rod with the drive to reduce pull on the cord guides



The cord guide lower hole is used for 1/8" low stretch nylon cord. Attach the cord to the trunk line with plastic nut or cable clamp. Route the cord from the trunk line through the lower hole in the cord guide and into the slot



Screw the cord retainer nut onto the cord retainer. Once all the doors are installed and all the cord guides are installed loosen the cord retainer nut, compress the seal around the tunnel doors and tighten the nut.